



# FEED AND BIOFUEL CRUMBLER FOR ANIMAL FEED INDUSTRIES



A full range of capacities varying degrees of design sophistication: ANDRITZ crumbling equipment meets today's production requirements.

#### **BUILT-IN DIVERTER**

ANDRITZ crumblers have built-in feed diverters, simplifying connection and eliminating the need for separate diverters, which add height. On multip-

le-stand units, the diverter evenly distributes feedstock to each set of rolls.

#### **CENTERED FEED INLET FOR IMPROVED EFFICIENCY**

Inlet is centered over the roll nip.

#### **CHILLED IRON ROLLS FOR SUPERIOR WEAR RESISTANCE**

Our centrifugally cast rolls are harder

and heavier and offer better wear life than others on the market. ANDRITZ is a leader in providing the right type of corrugation for each particular application, which is critical to the success of your crumbling operation.

# ANDRITZ

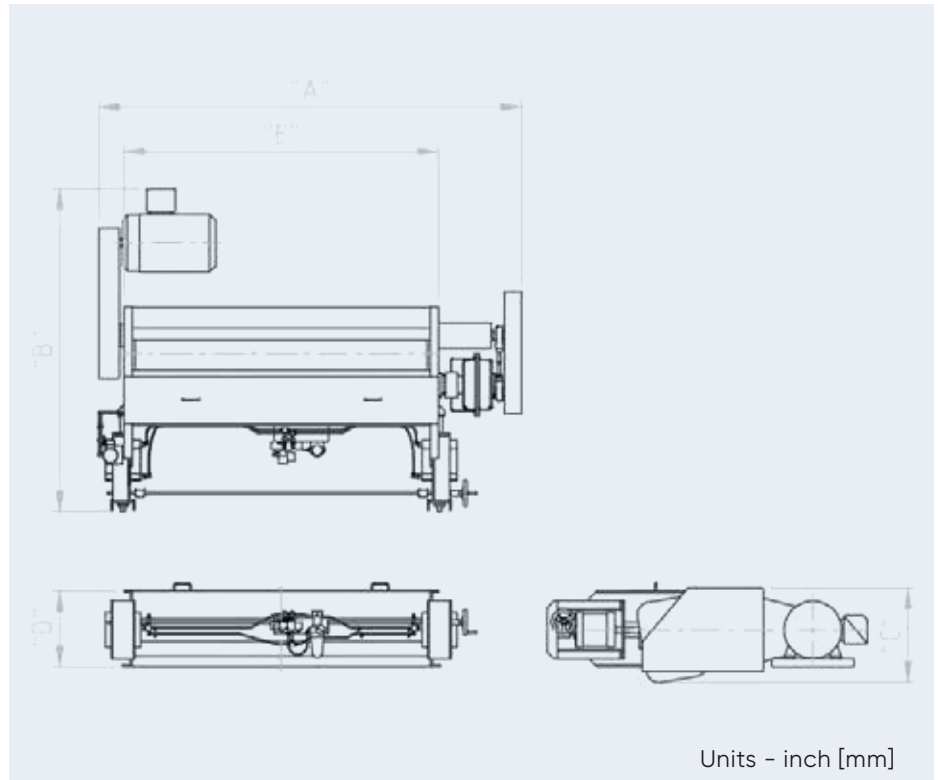
ENGINEERED SUCCESS

## REMOTE ROLL-GAP ADJUSTMENT OPTION

Adjust the roll gap remotely, from your control room. A remote read-out confirms the setting. All Remtrol™ units can be supplied or retrofitted with the remote roll-gap adjustment kit. The mechanism is driven by a mounted, 1/4 hp (184 kW) explosion-proof gearmotor. A rotation encoder feeds data to a roll-gap readout showing roll spacing in thousandths of an inch. The roll-gap “read-out” and “increase-decrease” buttons can be mounted in your operator station for ease of use and monitoring.

## ROLL FEEDER

ANDRITZ can provide special feeders for smooth, even, controlled feeding, avoiding surges from auxiliary equipment such as counterflow coolers. With these rotary vane or roll-feed mechanisms, you can achieve uniform feed at a low enough rate to avoid using the crumbler’s total horsepower, which is more productive, in total, than loading up the machine.



## TECHNICAL DATA

Model	A	B	C	D	E	Weight
960	84	75	16 1/4	16	68	2950 lbs.
1272	103	79	23	18 1/2	76 1/2	5700 lbs.

## ANDRITZ Feed and Biofuel A/S

andritz-fb.dk@andritz.com

p: +45 72 160 300 / andritz.com/ft

## ANDRITZ Feed and Biofuel USA

andritz-fb.us@andritz.com

p: +1 570 546 1253

# ANDRITZ

All data, information, statements, photographs and graphic illustrations in this leaflet are without any obligation and raise no liabilities to or form part of any sales contracts of ANDRITZ AG or any affiliates for equipment and/or systems referred to herein. © ANDRITZ AG 2018. All rights reserved. No part of this copyrighted work may be reproduced, modified or distributed in any form or by any means, or stored in any database or retrieval system, without the prior written permission of ANDRITZ AG or its affiliates. Any such unauthorized use for any purpose is a violation of the relevant copyright laws. ANDRITZ AG, Statterger Strasse 18, 8045 Graz, Austria.



1 0518

2651 US